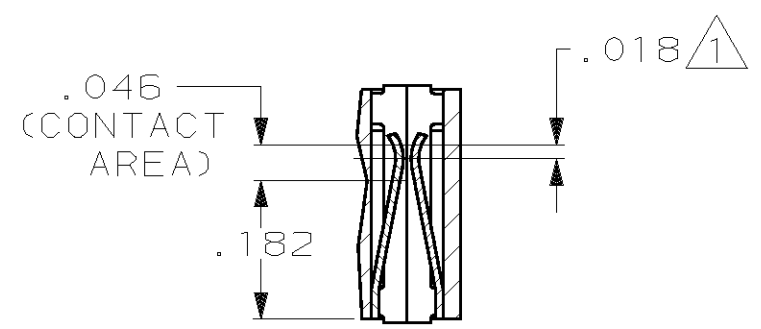
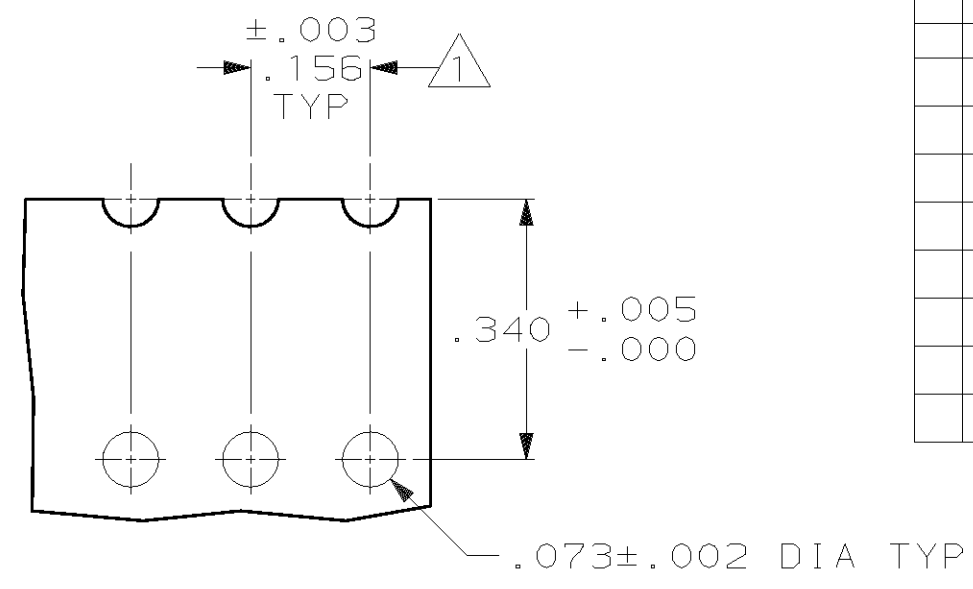


THIS DRAWING IS UNPUBLISHED. RELEASED FOR PUBLICATION, 19 .
 © COPYRIGHT 19 BY AMP INCORPORATED, HARRISBURG, PA. ALL INTERNATIONAL RIGHTS RESERVED. AMP PRODUCTS MAY BE COVERED BY U.S. AND FOREIGN PATENTS AND/OR PATENTS PENDING.

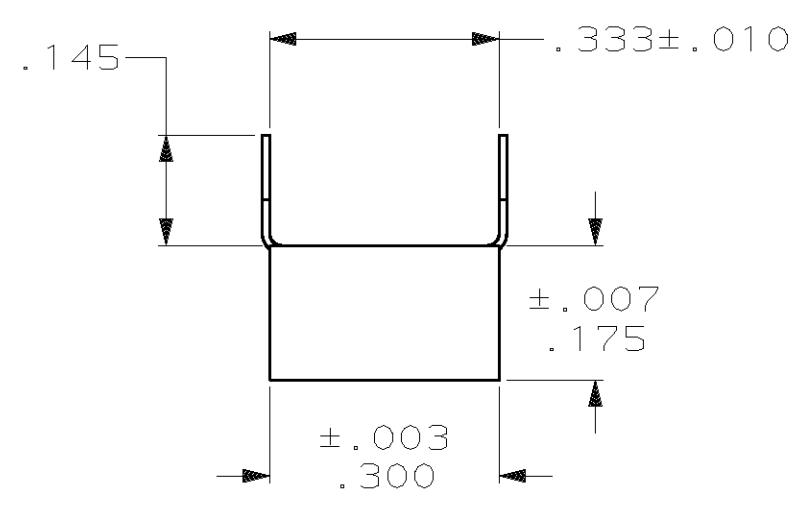
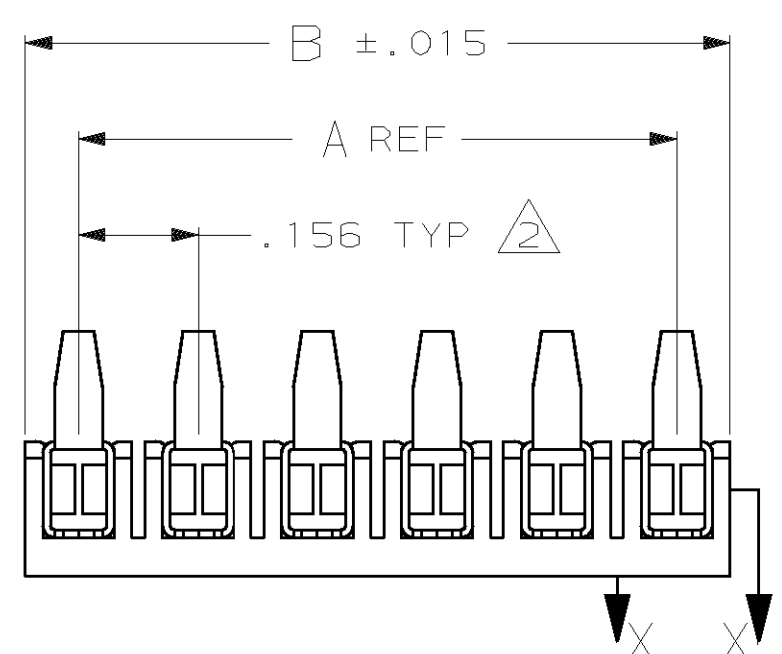
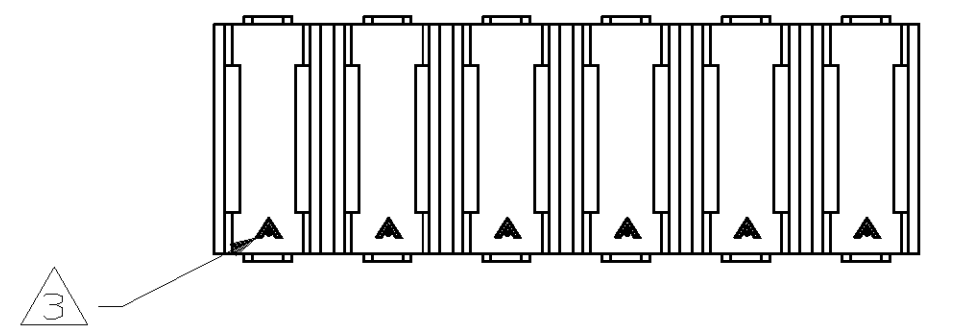
LOC	DIST	P	F	ZONE	LTR	DESCRIPTION	DATE	APPROVED
AD	39				A	REV & REDRAWN-ECN 978	-	-
					B	REV ECN 1286	-	-
					C	REV LOC & DIST AD-4171	3-90	BF
					D	REV PER AD-6547	6-10-92	-
					E	REV PER 0010-0700-93	8-7-93	SAS
					F	REV PER 0010-1103-93	3-16-94	SAS
					G	REV PER 0010-1175-95	12-17-96	JH
					H	REV PER 0310-0143-97	3-31-97	JH
					J	REV PER 0310-0445-97	02-FEB-98	JH
					K	REV PER 0G3C-0107-00	08AUG00	MZ



SECTION X-X



RECOMMENDED BOARD MOUNTING
 (RECOMMENDED BOARD THICKNESS: .055-.103)



3.120	2.964	20	2-87988-0
2.964	2.808	19	1-87988-9
2.808	2.652	18	1-87988-8
2.652	2.496	17	1-87988-7
2.496	2.340	16	1-87988-6
2.340	2.184	15	1-87988-5
2.184	2.028	14	1-87988-4
2.028	1.872	13	1-87988-3
1.872	1.716	12	1-87988-2
1.716	1.560	11	1-87988-1
1.560	1.404	10	1-87988-0
1.404	1.248	9	87988-9
1.248	1.092	8	87988-8
1.092	.936	7	87988-7
.936	.780	6	87988-6
.780	.624	5	87988-5
.624	.468	4	87988-4
.468	.312	3	87988-3
.312	.156	2	87988-2
B	A	NO OF POSN	ASSEMBLY PART NUMBER

- ① POINT OF MEASUREMENT FOR PLATING THICKNESS (INSIDE OF BEAMS).
- ② TOLERANCE NON-CUMULATIVE.
- ③ THE MATING END OF THE CONTACT IS IDENTIFIED BY THE LETTER "A" STAMPED ON THE RECEPTACLE BOX.

UNLESS OTHERWISE SPECIFIED DIMENSIONS ARE IN INCHES TOLERANCES ON : 2 PL DEC ± - 3 PL DEC ± .005 ANGLES ± - MATERIAL: HOUSING-FLAME RETARDANT THERMOPLASTIC, COLOR-BLACK CONTACTS- PHOS BRONZE FINISH: CONTACTS: .000030 GOLD IN CONTACT AREA, GOLD FLASH ON THE REMAINDER, ALL OVER .000050 NICKEL	DR 3-17-86 L A MAYER	AMP AMP INCORPORATED Harrisburg, Pa. 17105		
	CHK 3-17-86 P deJONG			
	APPD 3-17-86 P deJONG	NAME ASSY, MOD 1, BOARD MOUNT RECP, .156¢, STD PRESSURE, TYPE C, FOR ROUND HOLE MOUNTING		
	APPD 3-17-86 C LINDGREN			
	PRODUCT SPEC 108-25,016	SIZE C	F5CM NO 00779	DRAWING NO 87988
	APPLICATION SPEC 114-25,004	SCALE 4:1	SHEET 1 OF 1	
	WEIGHT -			